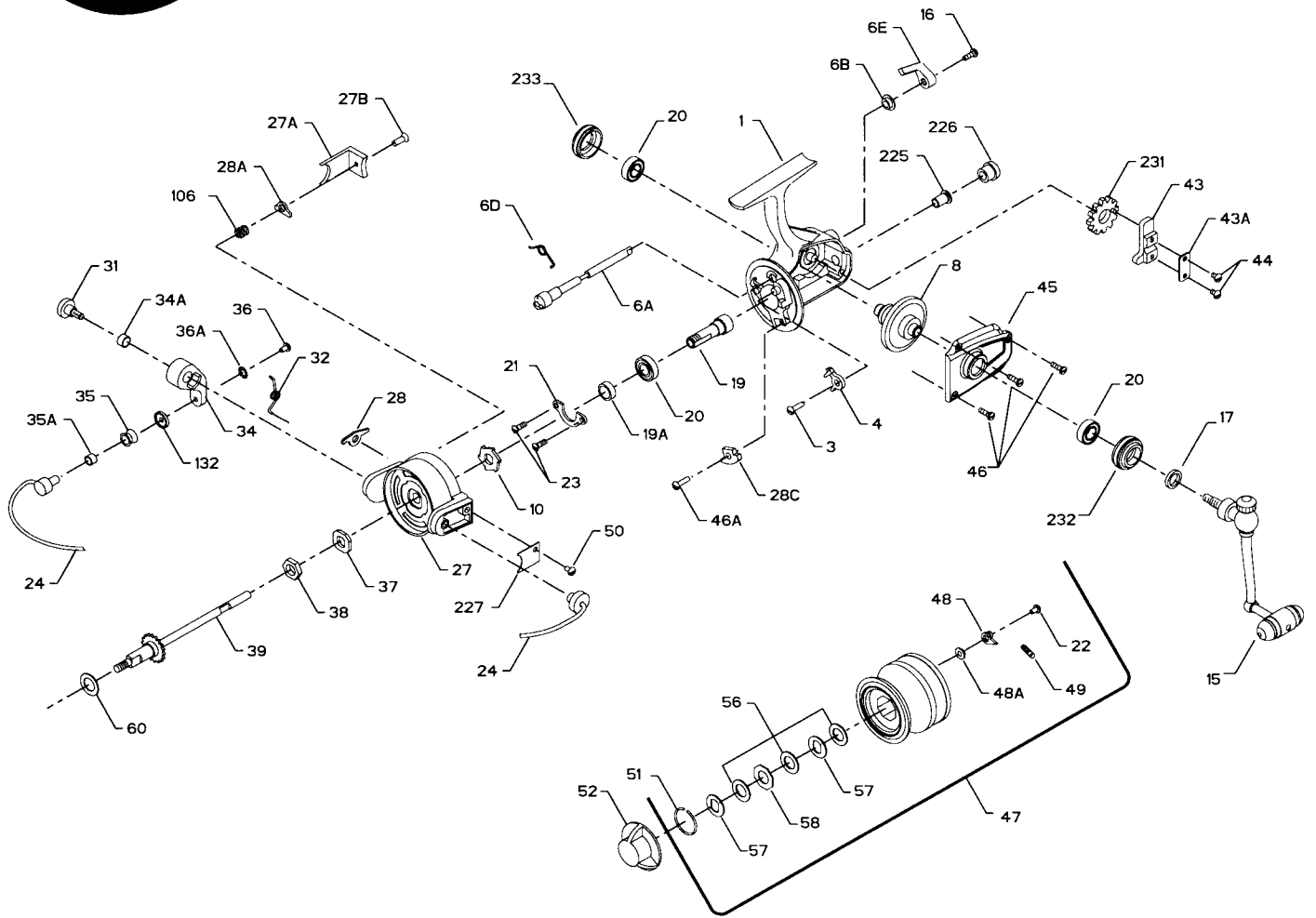




PARTS AND PRICE LIST FOR MODEL 550SS



Key No.	Part No.	Description	Price	Key No.	Part No.	Description	Price
1	1-550	Housing	\$18.25	36	36-750	Bail Stud Screw	.45
3	3-750	Dog Screw	.80	36A	36A-750	Lock Washer	.45
4	4-450	Dog	.90	37	37-450	Rotor Washer	.50
6A	6A-550	Eccentric	1.40	38	38-550	Rotor Nut	.50
6B	6B-750	Eccentric Liner	.45	39	39-550	Crosswind Shaft	8.80
6D	6D-710	Eccentric Spring	.45	43	43-550	Crosswind Block	2.05
6E	6E-750	Anti-Reverse Lever	.90	43A	43A-550	Crosswind Block Plate	.50
8	8-450	Main Gear	12.60	44	22-750	Crosswind Block Screw (2 req.)	.45
10	10-550	Ratchet	1.10	45	45-550	Housing Cover	3.25
15	15N-550	Handle (Complete)	13.15	46	46-750	Cover Screw (3 req.)	.45
16	16-910	Eccentric Screw	.50	47	47-550	Spool (Complete)	19.00
17	17-450	Seal Washer	.45	48	48-750	Click Tongue	.50
19	19-550	Pinion	5.60	48A	48A-750	Click Tongue Washer	.50
19A	19A-550	Pinion Spacer	.80	49	49-710	Click Tongue Spring	.45
20	20-722	Bail Bearing	12.95	50	50-712	Bail Spring Cover Screw	.50
21	21-550	Bearing Cover	.90	51	51-710	Retaining Ring	.40
22	22-750	Spool Click Screw	.45	52	52-550	Drag Knob	5.05
23	23-750	Bearing Cover Screw (2 req.)	.45	56	56-710	Drag Washer-HT100	.70
24	24-550	Bail Wire	6.75	57	57-720	Metal Slot Washer	.45
27	27-550	Rotor	10.15	58	58-710	Metal Washer (Octagon)	.45
27A	27A-550	Rotor End Cap	1.10	60	60-550	Thrust Washer (Teflon [®])	.60
27B	27B-550	Rotor End Screw	.50	106	106-60	Rotor End Spring	.50
28	28-550	Bail Release Jack	1.70	132	132-750	Roller Washer	.90
31	31-550	Bail Arm Screw	1.00	225	225-550	Crosswind Shaft Bushing	1.10
32	32-550	Bail Spring	.95	226	226-550	Bushing Cap Screw	1.00
34	34-550	Bail Arm	2.65	227	227-550	Bail Spring Cover	.60
34A	34A-550	Bail Arm Bushing	.45	231	231-550	Crosswind Gear	1.80
35	35-750	Line Roller	3.70	232	232-650	Bearing Cover (Open)	2.15
35A	35A-704	Line Roller Bushing	.45	233	233-650	Bearing Cover (Closed)	2.15